



LP SERIES

Multi-Bag Filter Housings

- Multi-Bag Filter Housing
- ASME Design/Non-Code

Economic multi-purpose ASME code and non-code designed housings



SUITABLE USES



Air & Gas



Desalination



Coolant



Water



Electronics



Coatings



Oil & Gas



Chemical



Pulp & Paper



Power



Marine



Equipment

MEDIA	Accepts multiple double length bags
DESIGN PRESSURE	150psig (10.3bar) @ 400°F (204.4°C)
AVAILABLE MATERIALS	Carbon steel, SS304 and SS316 Also available in LDX2101, C276, AL6XN, 2205, 2507 & Monel 400
ADDITIONAL FEATURES	Allows for easy filter bag removal without ladders or platforms to change filter bags Swing bolt closure allows for quick bag change out

Fischer-Robertson, Inc.
3890 Symmes Road, Hamilton, OH 45015
ph 513-860-3445 fx 513-860-4744
www.fischer-robertson.com

LP SERIES

Multi-Bag Filter Housings

- Multi-Bag Filter Housing
- ASME Design/Non-Code



HOUSING SPECIFICATIONS

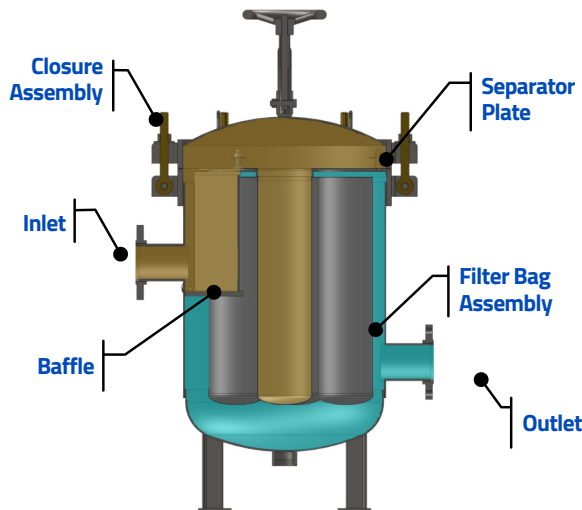
*Indicates standard configuration

Inlet/Outlet	2" Flange - 18" Flange
Dirty Drain	½" NPT on all sizes*
Clean Drain	2" NPT on all sizes*
Vent	½" NPT on all sizes*
Gauges	½" NPT on all sizes*
Basket	¼" on ¾" perforated plate* <i>*Other basket options available</i>
Headlift	Mechanical Davit (std) for up to LP38* Hydraulic Davit on LP40 and larger*
Legs	Angle Iron Legs with footpads*
Closure	Swing bolt closure*
Standard Pressure	150 PSI
Standard Temperature	400° F (204° C)
Certifications	U, UM, CE, NB, CRN

MODEL FLOW RATES

Model	# of Bags	Flow Rate (GPM)	Max Inlet/Outlet (In)
LP16	2	250	4"
LP18	3	375	6"
LP20	4	500	6"
LP22	5	625	6"
LP24	7	750	6"
LP26	7	875	8"
LP28	8	1,000	8"
LP30	10	1,250	8"
LP32	11/12	1,375	10"/8"
LP34	12	1,500	10"
LP36	14	1,750	10"
LP38	17	2,125	10"
LP40	18	2,250	12"
LP42	19	2,375	12"
LP44	22	2,750	12"
LP46	23	2,875	14"
LP48	26	3,125	14"
LP50	27	3,375	14"
LP52	29	3,625	16"
LP54	34	4,250	16"
LP56	35	4,375	16"
LP58	37	4,625	18"
LP60	40	5,000	18"

Flow rates above are based on water at 125gpm per filter bag, using 10 micron single layer filter bags with a clean pressure drop of 2psi. When operating using baskets only, each basket can flow up to 200gpm. Actual flow rates are dependent on fluid viscosity, bag micron rating, type of filter bag, and contaminant. Please contact Fil-Trek for assistance with sizing.



MATERIAL OF CONSTRUCTION

Material of Construction	Max. Operating Pressure (psi @250° F)	Max. Design Temp
Carbon Steel	150 psi (10.3bar)	400° F (204° C)
304 Stainless Steel	150 psi (10.3bar)	400° F (204° C)
316 Stainless Steel	150 psi (10.3bar)	400° F (204° C)



Fischer-Robertson, Inc.
3890 Symmes Road, Hamilton, OH 45015
ph 513-860-3445 fx 513-860-4744
www.fischer-robertson.com

LP SERIES

Multi-Bag Filter Housings

- Multi-Bag Filter Housing
- ASME Design/Non-Code



HOUSING OPTIONS

*Indicates standard configuration

Configuration	(-) A – Side in/side out*
Options	B – In-Line side in/side out* C – Side in/Bottom out D – Side in/Side out, Same Side
Basket	¾" on ¾" perforated basket*
Options	MB___ - Mesh lined basket (insert mesh size in open space)
Finish	(-) Paint "National Blue" (std for CS)*
Options	(-) Bead Blast (std for SS304 or SS316)* EP1 – Electro polish Inside/Outside EP2 – Inside only EP3 – Outside only PP – Passivation
O-Ring	(-) Buna-N*
Options	ED – EPDM VI – Viton SI – Silicone TEV – Teflon encapsulated Viton
Accessories	Direct Reading Gauge DP Gauge Safety Relief Valves Vent Valves Drain Valves Air Eliminator Omega Springs Balloon/Liquid Displacer Bag Magnets

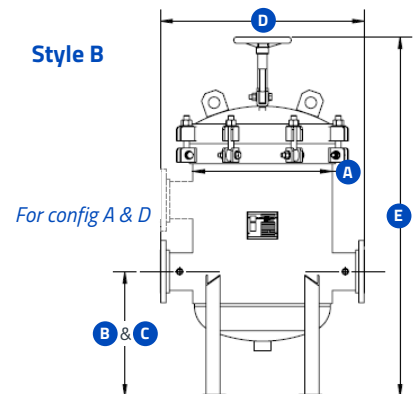
MODEL DIMENSIONAL DETAILS

Model	# of Bags	Shipping Weight (lbs)	A	B	C	D	E
LP16	2	330	16"	18"	18"	28"	56"
LP18	3	360	18"	20"	20"	30"	59"
LP20	4	410	20"	20"	20"	34"	60"
LP22	5	475	22"	22"	22"	36"	60"
LP24	7	560	24"	22"	22"	38"	62"
LP26	7	600	26"	24"	24"	38"	62"
LP28	8	650	28"	26"	26"	44"	63"
LP30	10	700	30"	26"	26"	46"	64"
LP32	11/12	810	32"	28"	28"	48"	66"
LP34	12	950	34"	28"	28"	52"	68"
LP36	14	1000	36"	28"	28"	54"	68"
LP38	17	1100	38"	28"	28"	58"	70"
LP40	18	1225	40"	30"	30"	60"	70"
LP42	19	1350	42"	32"	32"	62"	72"
LP44	22	1425	44"	32"	32"	66"	75"
LP46	23	1600	46"	32"	32"	68"	77"
LP48	26	1750	48"	34"	34"	70"	79"
LP50	27	1900	50"	36"	36"	74"	82"
LP52	29	2100	52"	38"	38"	76"	85"
LP54	34	2200	54"	38"	38"	78"	87"
LP56	35	2450	56"	38"	38"	80"	90"
LP58	37	2700	58"	40"	40"	84"	93"
LP60	40	2950	60"	40"	40"	86"	96"

Dimensions above are based on standard configuration 'B'; side in/side out – In-line.
Contact factory for weights and dimensions for all other model configurations

CHART LEGEND

- A** OUTSIDE DIAMETER
- B** FLOOR TO INLET
- C** FLOOR TO OUTLET
- D** FACE TO FACE
- E** OVERALL HEIGHT



Fischer-Robertson, Inc.
3890 Symmes Road, Hamilton, OH 45015
ph 513-860-3445 fx 513-860-4744
www.fischer-robertson.com

LP SERIES

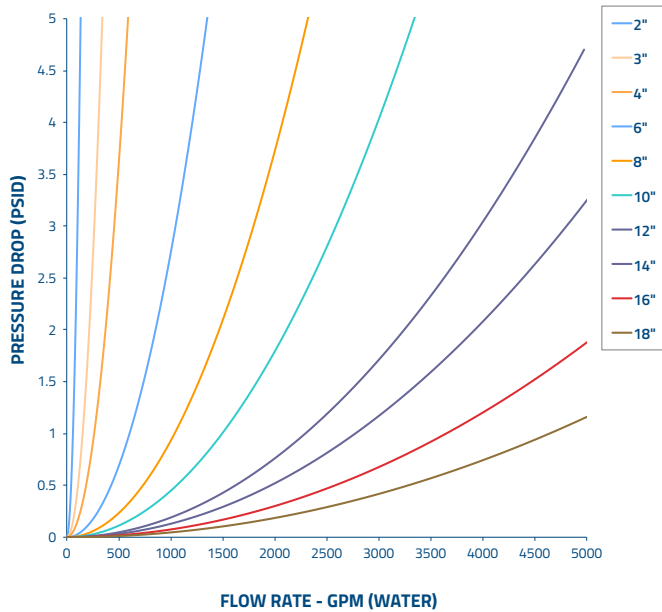
Multi-Bag Filter Housings

- Multi-Bag Filter Housing
- ASME Design/Non-Code



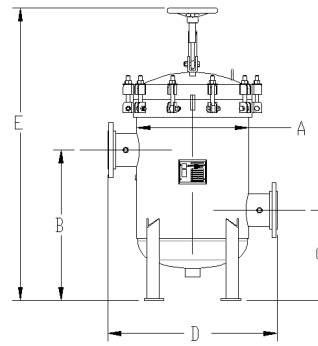
FLOW CHARTS

HOUSING PRESSURE DROP vs LIQUID FLOW RATE

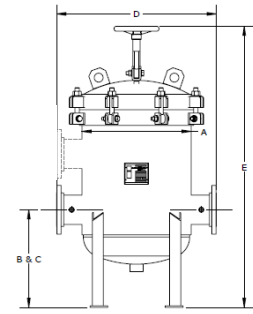


MODEL CONFIGURATIONS

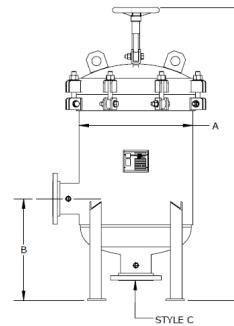
Style A: Side in/Side out



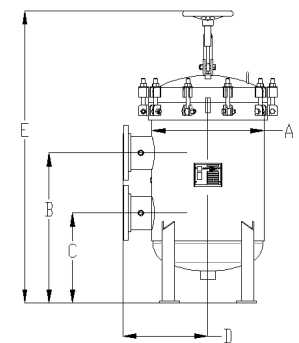
Style B: In-Line side in/side out
LP Standard Design



Style C: Side in/Bottom out



Style D: Side in/Side out, Same Side



PRODUCT NOMENCLATURE

S6	LP	18	3	12	4F	150	-
MATERIAL	MODEL	HOUSING DIAMETER	# OF BASKETS	BASKET LENGTH	CONNECTION TYPE	DESIGN PRESSURE	OPTIONS
(-) – CARBON S4 – SS304 S6 – SS316	LP – ASME CODE ELP – NON ASME	See Table	See Table	12 – SIZE 2	See Table	150	See "Housing Options" for options

NOTE: The LP series in an ASME code stamped housing. This vessel is also available in an industrial non-code design.



Fischer-Robertson, Inc.
3890 Symmes Road, Hamilton, OH 45015
ph 513-860-3445 fx 513-860-4744
www.fischer-robertson.com